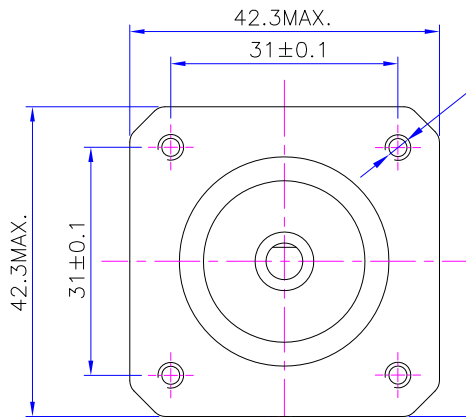
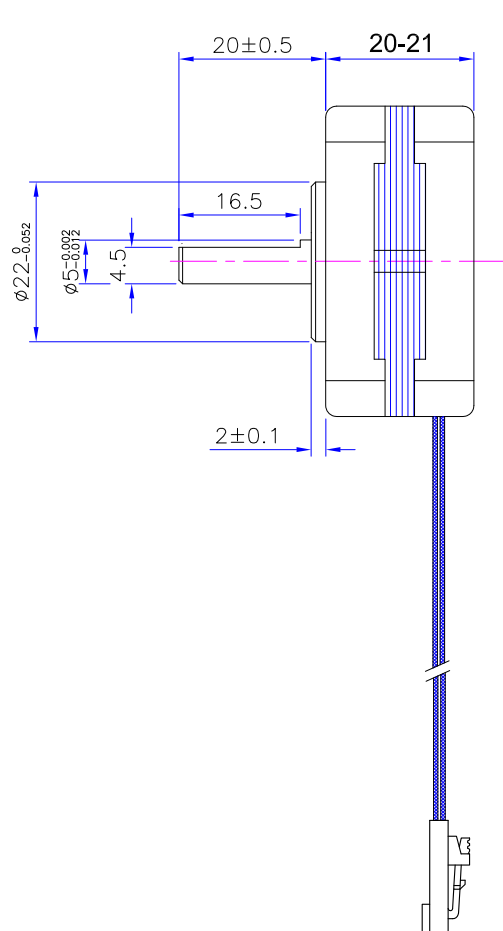
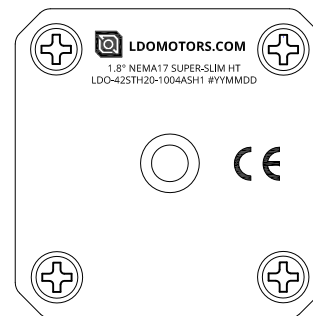


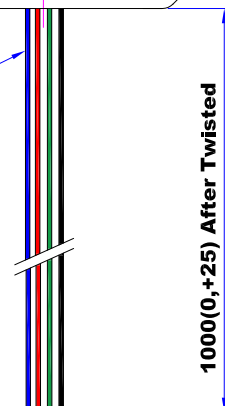
SUPER-SLIM HT(180°C)



Label by laser engraved.

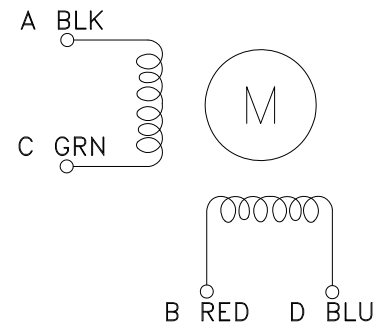


UL1332 24AWG
Teflon Coat Wires
200 DegreeC
(KEY Feature)
电线绞麻花



Connector: Molex
50-57-9404, or
Equivalent.

Diagram



Items	Specs	Items	Specs						
Phase Number	2 phases	Step Angle	1.8° ±5%	A	---	New Release	Xu SD	J. B.	5/25/20
Rated Voltage	7.2 VDC	Rated Current	DC 1.0 A / Phase	REV	ECN NO	Description	Made by	Approve	Date
Resistance(20°C)	7.2±10% Ω / phase	Inductance	7.0±20% mH / Phase				LDO MOTORS CO.,LTD NEMA17 SUPER-SLIM STEPPER HT LDO-42STH20-1004ASH1		
Holding Torque	≥18Ncm	Detent Torque	15 mNm REF.						
Rotate Direction	A-AB-BA CW	Insulation Resistance	≥100 MΩ (DC 500V)	Des.	Check	Appr.			
HI POT	AC600V/1mA/1S	Insulation Class	Class H 180°C						
Rotor Inertia	21.4 g-cm ²	Weighth	127g REF.						